

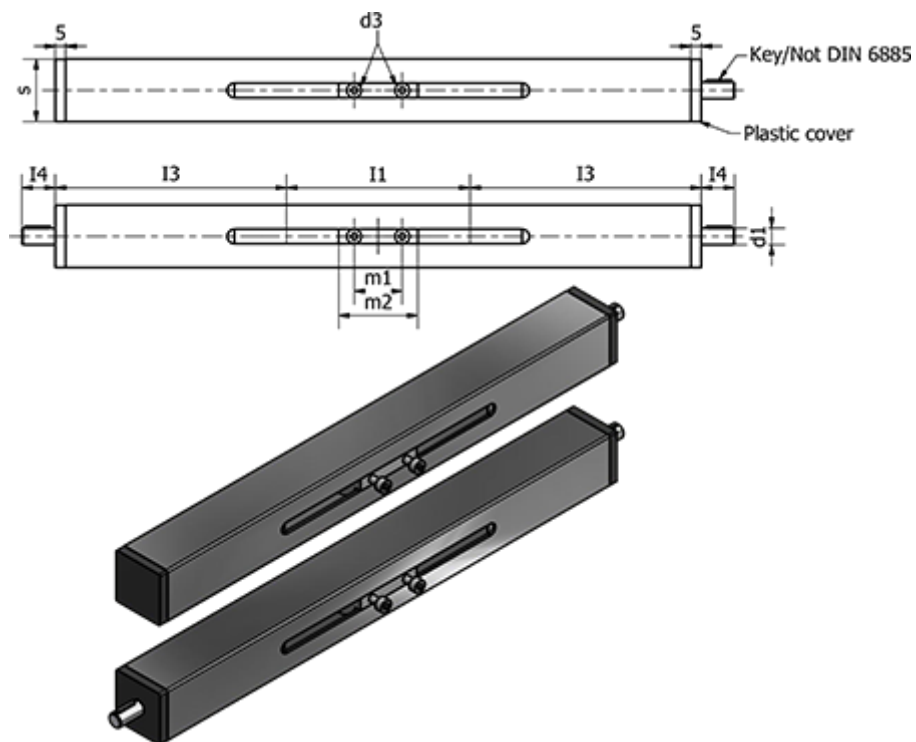
Data Sheet



Article number: 20291140170R1SCR

Description: E+G Linear actuators - GN 291.1-40-170-R1-SCR

Measures



$d1 f7 = 12$

$d2 = M5$

$l1 = 170$

$l2 = l2+240$

$l3 = 120$

$l4 = 17$

$m1 = 42$

$m2 = 54$

Max. travel = 1570

$s = 40$

Shaft key DIN 6885 = A4x4x12

Shaft thread = TR20x4